

The Dacor logo is rendered in a bold, italicized, sans-serif font with a metallic, 3D effect. The letters are dark with a lighter, reflective highlight on the top and left sides, giving it a sleek, modern appearance. A registered trademark symbol (®) is located at the end of the word.

dacor®

The Life of the Kitchen.®

A photograph of a white Dacor oven with a stainless steel cooktop. The oven is set in a kitchen environment with various items on the counter, including a bowl, a bottle, and a basket. The text 'PARTS CATALOG' is overlaid in large, semi-transparent, 3D block letters across the center of the oven.

PARTS CATALOG

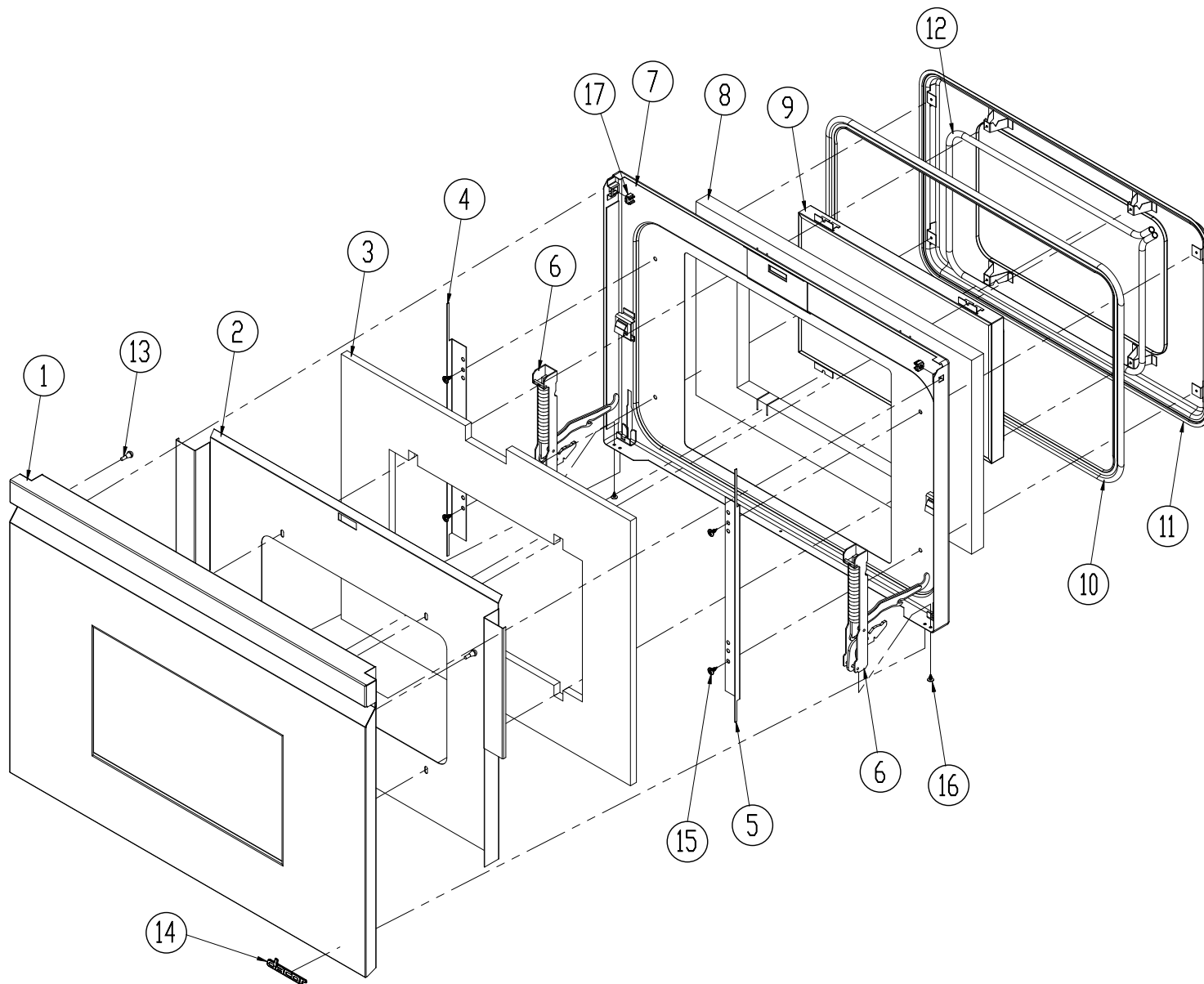
DO130

Page #	Sheet Title
2	Door Assembly
3	Case Assembly
4	Case Parts
5	Bezel Assembly
6	Sub-Chassis Assembly
7	Cell Assembly

Revised 09-08-2010

Technical Service | 1440 Bridgegate Drive | Diamond Bar, CA 91765 | PH 800-353-2267 | FAX 909-612-1702

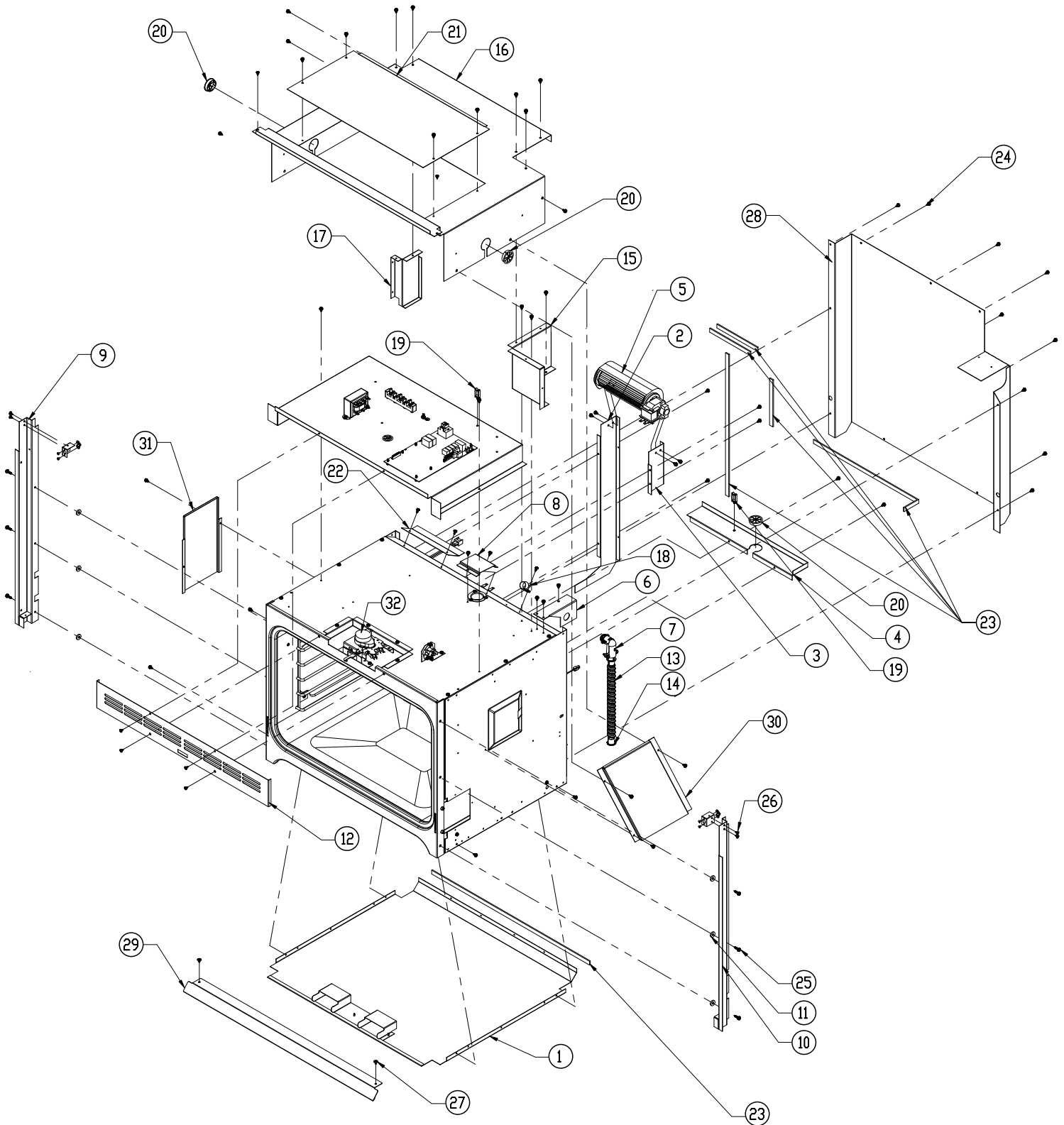
D0130 Door Assembly



Ref #	Part #	Description
1	701348 ¹	Asy, Door, Skin w/ Logo ¹
2	106746B	Heat Shield, 30" Door
3	80213	Insulation, 30" Outer Liner
4	36618	Side Shield, Right
5	36617	Side Shield, Left
6	82508 ²	Hinge, Epicure Door ²
7	701315BP	Outer Liner Weldment
8	80207	Insulation, Door
9	72148	Window Pack, 1"
10	72020	Gasket, 30" Oven Door

Ref #	Part #	Description
11	27728BP	Asy, Inner Liner
12	100073	Gasket, Window Pack
13	83618	Rubber Bumper
14	72510CH	Logo, Dacor, 3" Chrome
15	83499	Screw, Phil, #10 x 1/2"
16	83263	Screw, Phil Wfr, #8 x 3/8"
17	83418	Nut Retainer
		¹ Order as kit, 701348 (Click note for details)
		² Order as kit, 701035 (Click note for details)

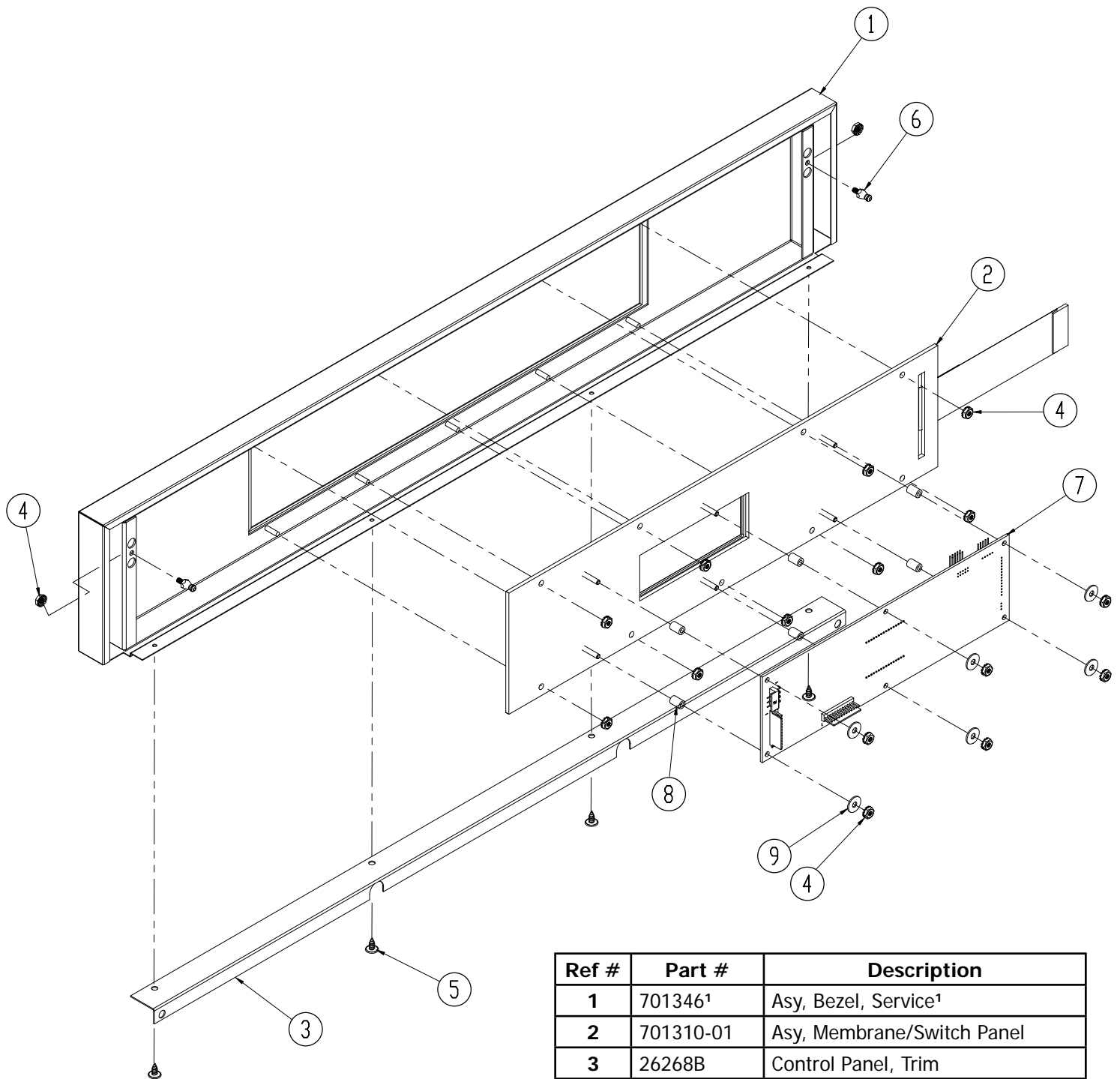
D0130 Case Assembly




D0130 Case Parts

Ref #	Part #	Description
1	102552	Asy, Exhaust Plate
2	102259-01	Duct, Single, RH
3	106241	Duct, Distinctive, 30"
4	102249	Case Back, Shield, 30"
5	82986	Cooling Fan
6	26584	Conduit MTG BRKT
7	82195	1/2" 90° Squeeze Connector
8	100484	Duct, Smoke Eliminator, Single
9	27665B	Asy, Trim Post, LH
10	27664B	Asy, Trim Post, RH
11	83555	Fiber Washer
12	106745B	Grill, Intake
13	26420	Conduit, 1/2" Flex
14	83133	Bushing, 1/2"
15	102869	Corner, Top Cover
16	102382	Top Cover, 30"
17	103710	Top Cover, Blower Corner
18	83167	Cable Clamp
19	92023-01	Cable Mounting Saddle
20	92191-03	Bushing, Split 1.375"
21	36318	Base Pan, 24"
22	102387	Fan, Duct Spacer
23	101579	Tape, 1/8x1/2x36
24	83023	Screw, Slot HWH, #10 x 3/8"
25	83026	Screw, Slot HWH, #10 x 3/4"
26	83263	Screw, Phil TRS, #8 x 3/8"
27	83534	Screw, Wafer HD, #8 x 3/8"
28	102428	Back Cover, Single, 30"
29	106655	Exhaust, Grill, 30"
30	106760	Cover, Light Wires
31	106759	Cover, Meat Probe Wire
32	100090	Door Latch

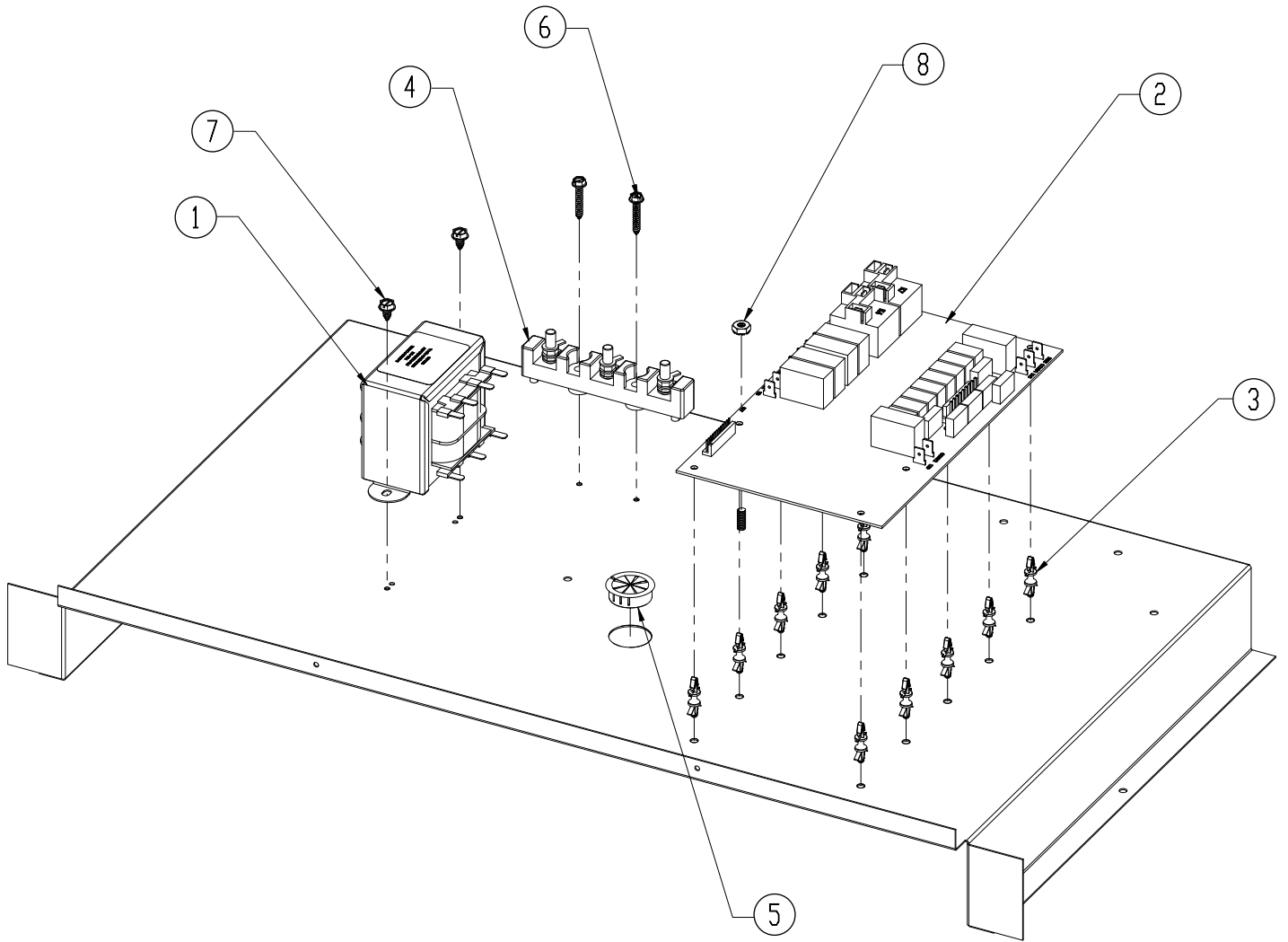
D0130 Bezel Assembly



Ref #	Part #	Description
1	701346 ¹	Asy, Bezel, Service ¹
2	701310-01	Asy, Membrane/Switch Panel
3	26268B	Control Panel, Trim
4	83308	Nut, Keps, 6-32
5	83263	Screw, Phil TRS, #8 x 3/8"
6	83539	Ball Stud
7	106736	Display Modules, Single
8	83089	Spacer, .138 ID x .25 OD x .375 L
9	83080	Washer, Nylon, 1/2" x .172 x .040

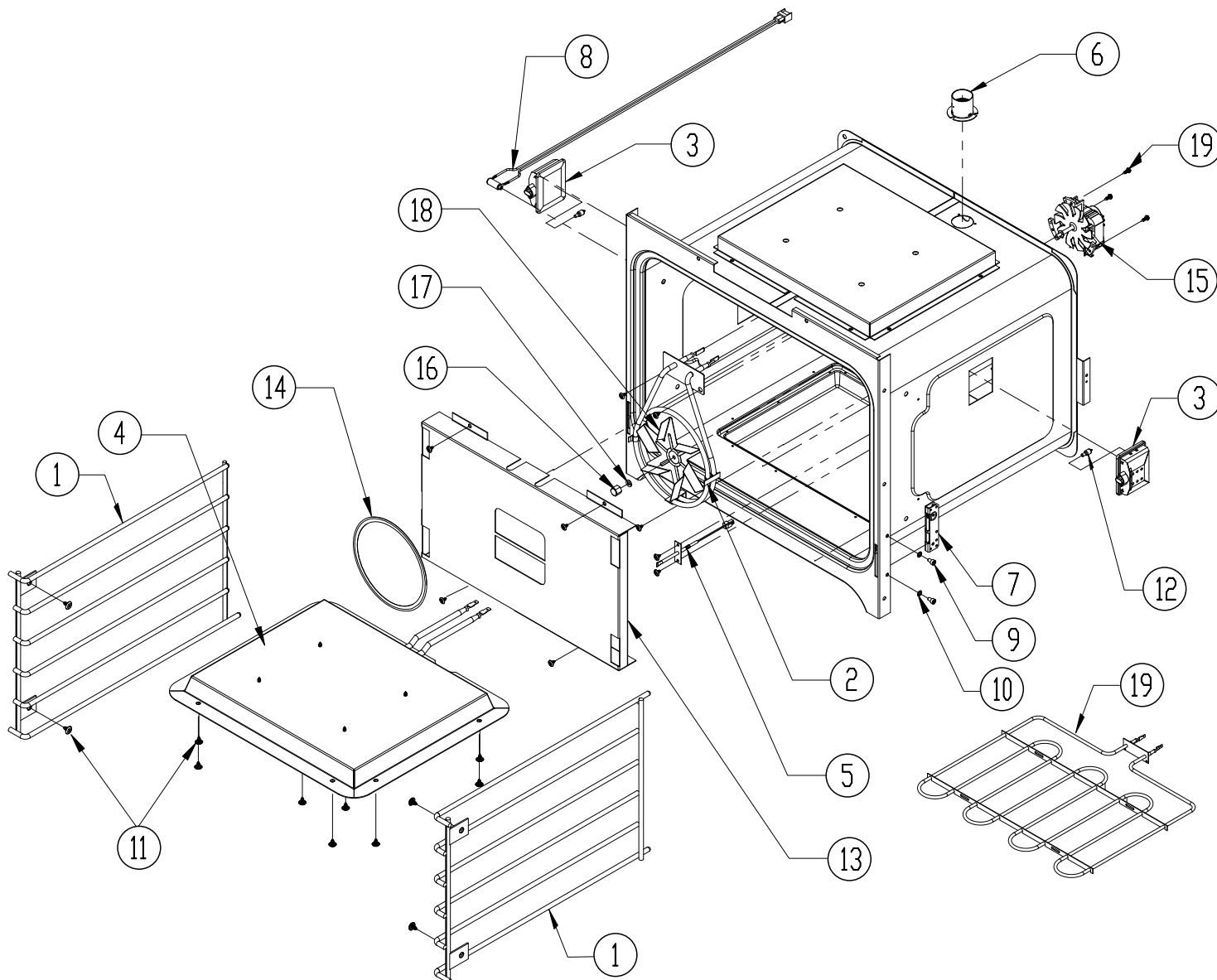
¹Order as kit, 701346 (Click note for details) 

D0130 Sub Chassis Assembly



Ref #	Part #	Description
1	62808	Transformer, 40VA
2	102377	Relay Board
3	83538	PCB Support, Nylon
4	700725	Asy, Wire Harness (Not Shown)
5	92191-02	Bushing, Split 1.00"
6	83569	Screw, Slot Hex HD, #8 x 1"
7	83023	Screw, Slot HWH, #10 x 3/8"
8	83009	Nut, Keps, #10-24

D0130 Cell Assembly



Ref #	Part #	Description
1	82650	Support Rack, BP
2	82377	Convection Element, 240v
3	92398	Asy, Light, Halogen, 20w
4	700713*	Asy, Broiler, 3100w*
5	72752	Temperature Sensor
6	72755	Smoke Eliminator
7	82851	Receptacle, Hinge
8	72717	Meat Probe Socket
9	83553	Screw, Socket HD, M5 x 0.8mm
10	83340	#10 Lock Washer

Ref #	Part #	Description
11	83534	Screw, Wafer HD, #8 x 3/8"
12	100429	Bulb, Hologen, 20w
13	106752BP	Convection Baffle, BP
14	82891	Filter, Convection Oven
15	82647	Convection Oven Motor
16	102137	Hex Nut, Convection Fan
17	102136	Washer, Convection Fan
18	101511	Fan Blade, Convection Fan
19	106573	Bake Element, 2500w
-	103807	Oven Rack, 30" (Not Shown)

*Click here for details of 700713. 